

# Instrument series S-10/ECO-Tronic

Stationary measurement transducers for industrial applications

## S-10



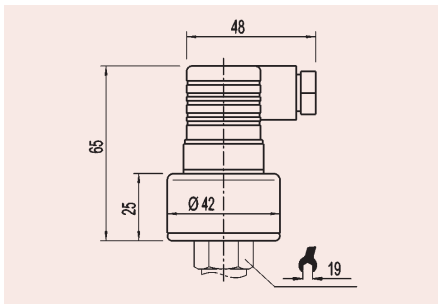
Instrument series S-10 with an accuracy of less than 0.5% with linearity, hysteresis and reproducibility is designed for very precise measurements.

The standard pressure measurement transducer type S-10 and type ECO-Tronic fulfill all requirements in industrial pressure measuring technology. We have the appropriate version for every pressure range.

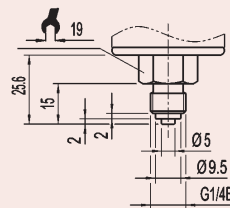
## ECO-1



The instrument series ECO-Tronic with an accuracy of less than 1% with linearity, hysteresis and reproducibility is the low-cost alternative.



Pressure connection EN 870 ECO



### Common technical data S-10 and ECO-Tronic

Material:	CrNi steel
Deviation from norm curve:	Type ECO-1 < 1% throughout the whole range Type S-10 < 0.5% throughout the whole range
Measuring medium temperature:	Type ECO-1 -40...+100°C Type S-10 -30...+100°C
Auxiliary power:	DC 10...30 VDC
Output signal:	4...20 mA, 2-wire technology
Process connection:	G 1/4"
Electric connection:	Mini DIN plug (to DIN EN 175301-803) IP 65 protection
Measuring ranges:	see table

Measuring ranges/ Relative pressure	Order no. Type ECO-1	Order no. Type S-10
0...1 bar	8391996	9013490
0...4 bar	8391976	9013520
0...10 bar	8391956	9013547
0...16 bar	8391886	9013555
0...40 bar	8430356	9073930
0...100 bar	8392326	9073957
0...600 bar	8430636	9073990

Kimo Instrument Sverige AB  
 Box 7241, 402 35 Göteborg  
 Tel 031-13 49 80  
 Fax 031-13 80 25  
 www.kimo.se - info@kimo.se